

ELEGANCE T

Wall / ceiling fan with built in run-on timer

Elegance fans can be wall or ceiling mounted and are highly efficient in exhausting air from small and medium size rooms in domestic and commercial applications. Designed and made in Italy this fan is quiet to run and has a streamlined, minimal and discreet design with its slimline flat cover.

The built in run-on timer allows the fan to continue running for up to 25 minutes once the switch is turned off, it is fully adjustable to between 3 and 25 minutes.



MANUFACTURER:



WARRANTY:

2 years

INSTALLATION:

- Wall or ceiling mounted, use in conjunction with an external grille, and may be used with rigid or flexible ducting (not included)
- Works with short ducting lengths (up to 3m)
- Suitable for domestic or commercial single room applications including:
 - Bathrooms and powder rooms
 - Laundries
 - Portable buildings and classrooms
 - Small offices and meeting rooms
 - Utility rooms
- Installation by an industry professional (electrician or air-conditioning installer) is recommended

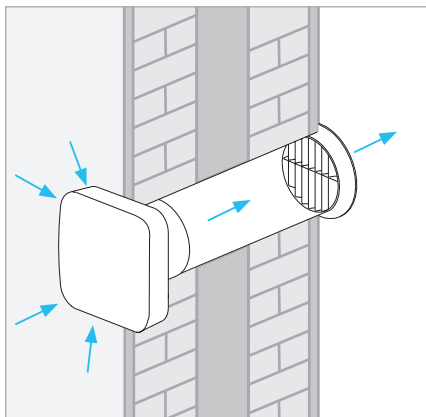
BENEFITS:

- Built in run-on timer – allows the fan to continue running for a set time after the switch is turned off
- Innovative European slim line design with flat cover and lateral intake
- Easy to install
- Supplied with back-draught shutters to prevent air from moving back into the room
- Quiet operation – innovative impellers permit limited noise level
- Maintenance free – self lubricating sleeve bearing motor for long life & noiseless operation
- Made of high quality antistatic tecnopolymer material
- Comes in 3 sizes moving 90 – 315m³ of air per hour

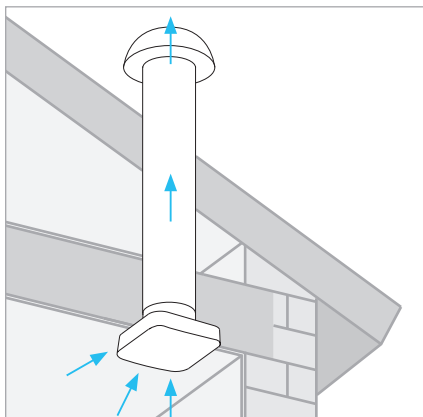
ELEGANCE T

Wall / ceiling fan with built in run-on timer

APPLICATIONS:



Wall



Ceiling

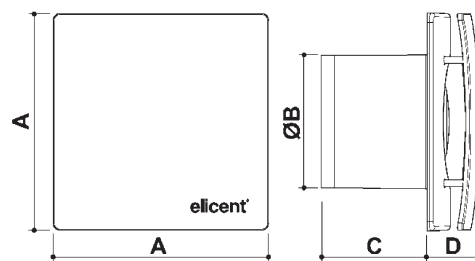
SPECIFICATIONS:

Model	Item Code	Volume m ³ /h (maximum)	Volume L/s (maximum)	Pressure (maximum)	Wattage	Noise dB(A)*	Protection
Elegance 100	2EL0001	90	25	42	14	31.4	IPX4
Elegance 120	2EL2501	165	46	55	15	36.7	IPX4
Elegance 150	2EL5001	315	87	71	25	43.9	IPX4

* Measured at 3 metres

DIMENSIONS:

Model	A	ØB	C	D	Kg
Elegance 100	160	98	80	38	0.9
Elegance 120	180	119	91	44	1.1
Elegance 150	200	149	105	56	1.3



PERFORMANCE:

