

# ECOLINE A

## Wall fan with automatic shutters

The Eco Line is designed for wall, panel or ceiling installation and is suitable for single room applications including toilets, bathrooms, portable buildings, offices and utility rooms. This silent running, energy efficient fan has shutters that automatically open and close to prevent air from flowing back into the room. It comes in 3 sizes with the largest able to be window mounted.



### MANUFACTURER:



### WARRANTY:

2 years

### INSTALLATION:

- Wall or ceiling mounted, use in conjunction with an external grille, and may be used with rigid or flexible ducting (not included)
- Works with short ducting lengths (up to 3m)
- Suitable for domestic or commercial single room applications including:
  - Bathrooms and powder rooms
  - Laundries
  - Portable buildings
  - Offices and meeting rooms
- Installation by an industry professional (electrician or air-conditioning installer) is recommended

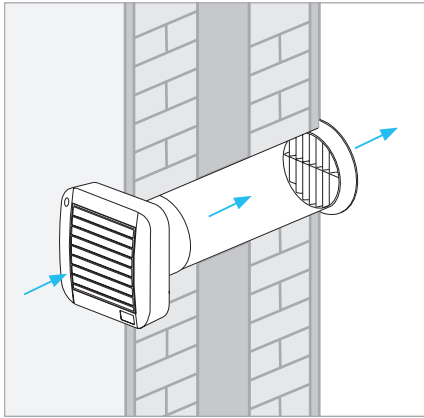
### BENEFITS:

- Extracts 90 – 320m<sup>3</sup> of air per hour
- Energy saving
- Easy to install
- Automatic electronic internal shutters
- Quiet Operation
- Easy maintenance and cleaning
- Can be wall or window mounted and exhaust directly to the outside or through short lengths of ducting

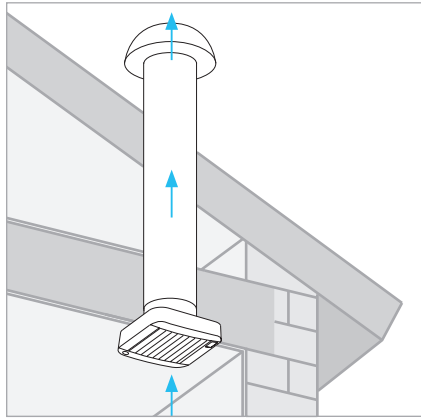
# ECOLINE A

## Wall fan with automatic shutters

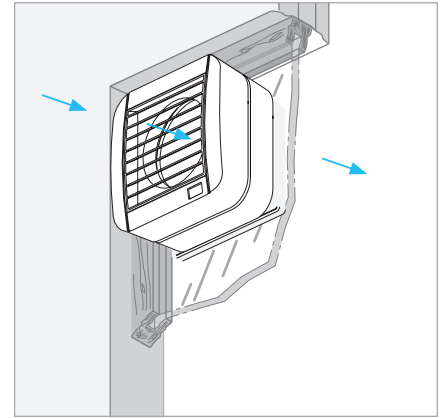
### APPLICATIONS:



Wall



Ceiling



Window  
(max glass thickness 22mm)

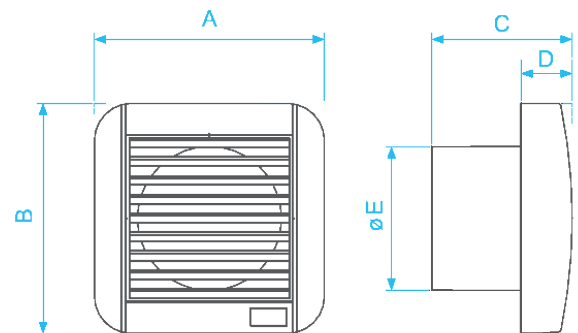
### SPECIFICATIONS:

Model	Item Code	Volume m <sup>3</sup> /h (maximum)	Volume L/s (maximum)	Pressure (maximum)	Wattage	Noise dB(A)*	Protection
ECO 100	2MU6002	90	25	27	13	39	IPX4
ECO 120	2MU6202	170	47	40	15	42	IPX4
ECO 150	2MU6502	320	89	70	25	49	IPX4

\* Measured at 3 metres

### DIMENSIONS:

Model	A	B	C	D	Ø E	Kg
ECO 100	155	155	101	44	97	0.6
ECO 120	180	180	121	51	119	0.8
ECO 150	209	209	137	52	149	1.2



### PERFORMANCE:

